

PARTS LIST

[XV-S40BK/XV-S42SL/XV-E100SL]

[MK2]

* All printed circuit boards and its assemblies are not available as service parts.

**Area Suffix
(XV-S40BK/XV-E100SL)**
E ----Continental Europe
EN ----Northern Europe

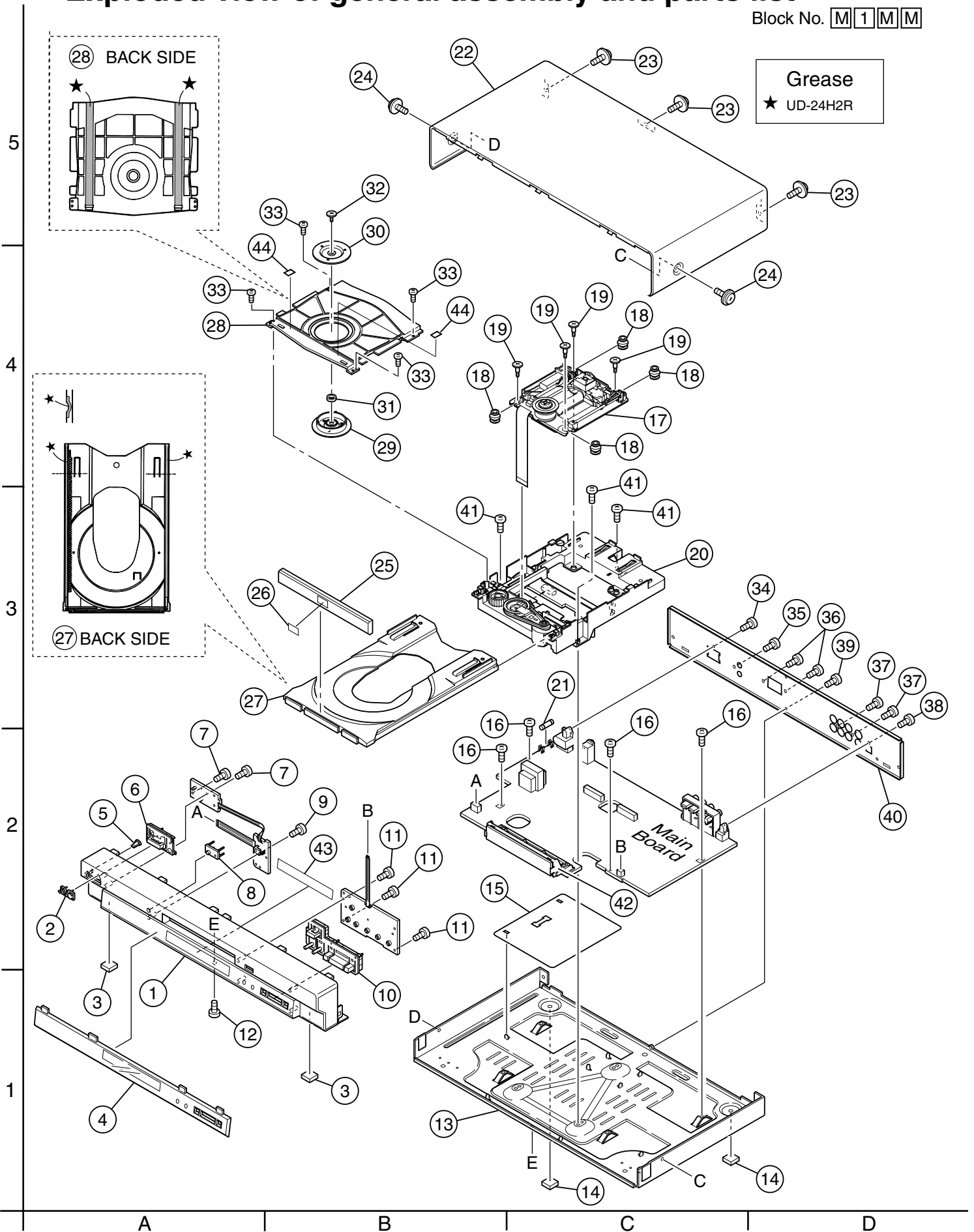
Area Suffix (XV-S42SL)
B ----- U.K.
E ----Continental Europe
EN ----Northern Europe

- Contents -

Exploded view of general assembly and parts list ----- 3-2
 DVD Traverse mechanism assembly and parts list ----- 3-5
 DVD Loading mechanism assembly and parts list ----- 3-7
 Electrical parts list ----- 3-9
 Packing materials and accessories parts list ----- 3-16

Exploded view of general assembly and parts list

Block No. M1MM



■ Parts list (General assembly)

Block No. M1MM

△	Item	Parts number	Parts name	Q'ty	Description	Area
	1	LE10251-253A	FRONT PANEL	1		1,2
		LE10251-251A	FRONT PANEL	1		3,4
		LE10251-252A	FRONT PANEL	1		5,6,7
	2	GN40006-002A	JVC MARK	1		1,2,5,6,7
		GN40006-001A	JVC MARK	1		3,4
	3	E75896-001	FELT SPACER	2		
	4	LE20535-002A	WINDOW SCREEN	1		1,2
		LE20535-006A	WINDOW SCREEN	1		3,4,5,6,7
	5	LE30900-001A	INDICATOR	1		
	6	LE20537-002A	PUSH BUTTON	1		1,2,5,6,7
		LE20537-001A	PUSH BUTTON	1		3,4
	7	QYSBSF2608Z	T.SCREW	2	TO POWER SWITCH BOARD	
	8	LE30899-002A	REMOTE LENS	1		1,2,5,6,7
		LE30899-001A	REMOTE LENS	1		3,4
	9	QYSBSF2608Z	T.SCREW	1	TO REMOTE BOARD	
	10	LE20538-002A	PUSH BUTTON	1		1,2,5,6,7
		LE20538-001A	PUSH BUTTON	1		3,4
	11	QYSBSF2608Z	T.SCREW	3	TO SWITCH BOARD	
	12	QYSDSG3008N	T.SCREW	1	TO FRONT PANEL	1,2,5,6,7
		QYSDSG3008M	SCREW	1	TO FRONT PANEL	3,4
	13	LE10250-002A	CHASSIS BASE	1		
	14	E75896-001	FELT SPACER	2		
	15	LE40768-003A	PROTECT SHEET	1		
	16	QYSBSGG3008E	T.SCREW	4	TO MAIN BOARD	
	17	-----	TRAVERSE MECHANISM	1	See page 3-5	
	18	LV41659-201A	INSULATOR	4		
	19	LV41424-001A	SPECIAL SCREW	4	TO TRAVERSE MECHANISM	
	20	-----	LOADING MECHANISM	1	See page 3-7	
△	21	QMF51E2-1R6-J1	FUSE	1		
	22	LE20541-002A/S/	METAL COVER	1		1,2,5,6,7
		LE20541-001A/S/	METAL COVER	1		3,4
	23	QYSBSGG3008E	T.SCREW	3	TO TOP COVER (REAR)	
	24	E406308-004	SPECIAL SCREW	2	TO TOP COVER (SIDE)	1,2,5,6,7
		E406308-003	SPECIAL SCREW	2	TO TOP COVER (SIDE)	3,4
	25	LE20536-005A	FITTING	1		1,2
		LE20536-001A	FITTING	1		3,4
		LE20536-002A	FITTING	1		5,6,7
	26	LE40757-002A	MARK	1		1,2
	27	LV10455-002A	TRAY	1		
	28	LV20913-002A	CLAMPER BASE	1		
	29	LV32417-001A	CLAMPER	1		
	30	LV42089-001A	YOKE	1		
	31	LV41118-003A	MAGNET	1		
	32	LV41741-001A	SPECIAL SCREW	1	TO CLAMPER	
	33	QYSBSF2008Z	SCREW	4	TO CLAMPER BASE	
	34	QYSBSGY3008M	SPECIAL SCREW	1	AC INLET	
	35	QYSBSGY3008M	SPECIAL SCREW	1	AV COMPULINK	
	36	QYSBSGY3008M	SPECIAL SCREW	2	SCART TERMINAL	

Explanation of area column

1:XV-E100SL ver.E 3:XV-S40BK ver.E 5:XV-S42SL ver.B
2:XV-E100SL ver.EN 4:XV-S40BK ver.EN 6:XV-S42SL ver.E
7:XV-S42SL ver.EN

■ Parts list (General assembly)

Block No. M1MM

△	Item	Parts number	Parts name	Q'ty	Description	Area
	37	QYSBSGY3008M	SPECIAL SCREW	2	A/V SIGNAL TERMINAL	
	38	QYSBSGY3008M	SPECIAL SCREW	1	OPTICAL OUT TERMINAL	
	39	QYSBSGY3008M	SPECIAL SCREW	1	TO CHASSIS	
	40	LE20542-030A	REAR PANEL	1		1,2
		LE20542-024A	REAR PANEL	1		3,4
		LE20542-027A	REAR PANEL	1		5,6,7
	41	QYSBSG3010E	T.SCREW	3	TO LOADING MECHANISM	
	42	LE20540-001A	FL HOLDER	1		
	43	LE40759-001A	FL SCREEN	1		1,2
	44	LE30001-031A	SPACER	2		

Explanation of area column

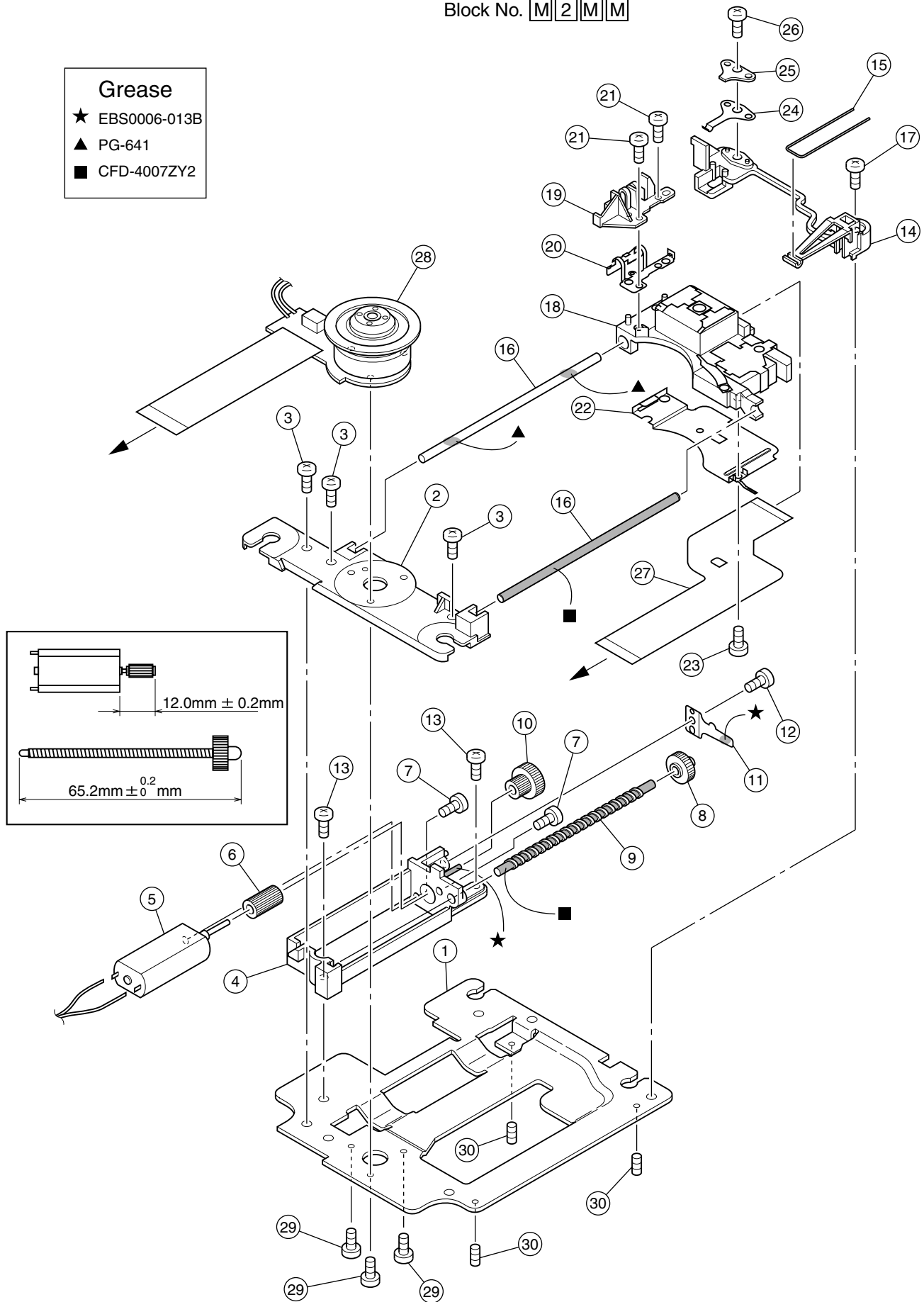
1:XV-E100SL ver.E 3:XV-S40BK ver.E 5:XV-S42SL ver.B
 2:XV-E100SL ver.EN 4:XV-S40BK ver.EN 6:XV-S42SL ver.E
 7:XV-S42SL ver.EN

DVD Traverse mechanism assembly and parts list

Block No. **M** **2** **M** **M**

Grease

- ★ EBS0006-013B
- ▲ PG-641
- CFD-4007ZY2



■ Parts list (DVD Traverse mechanism assembly)

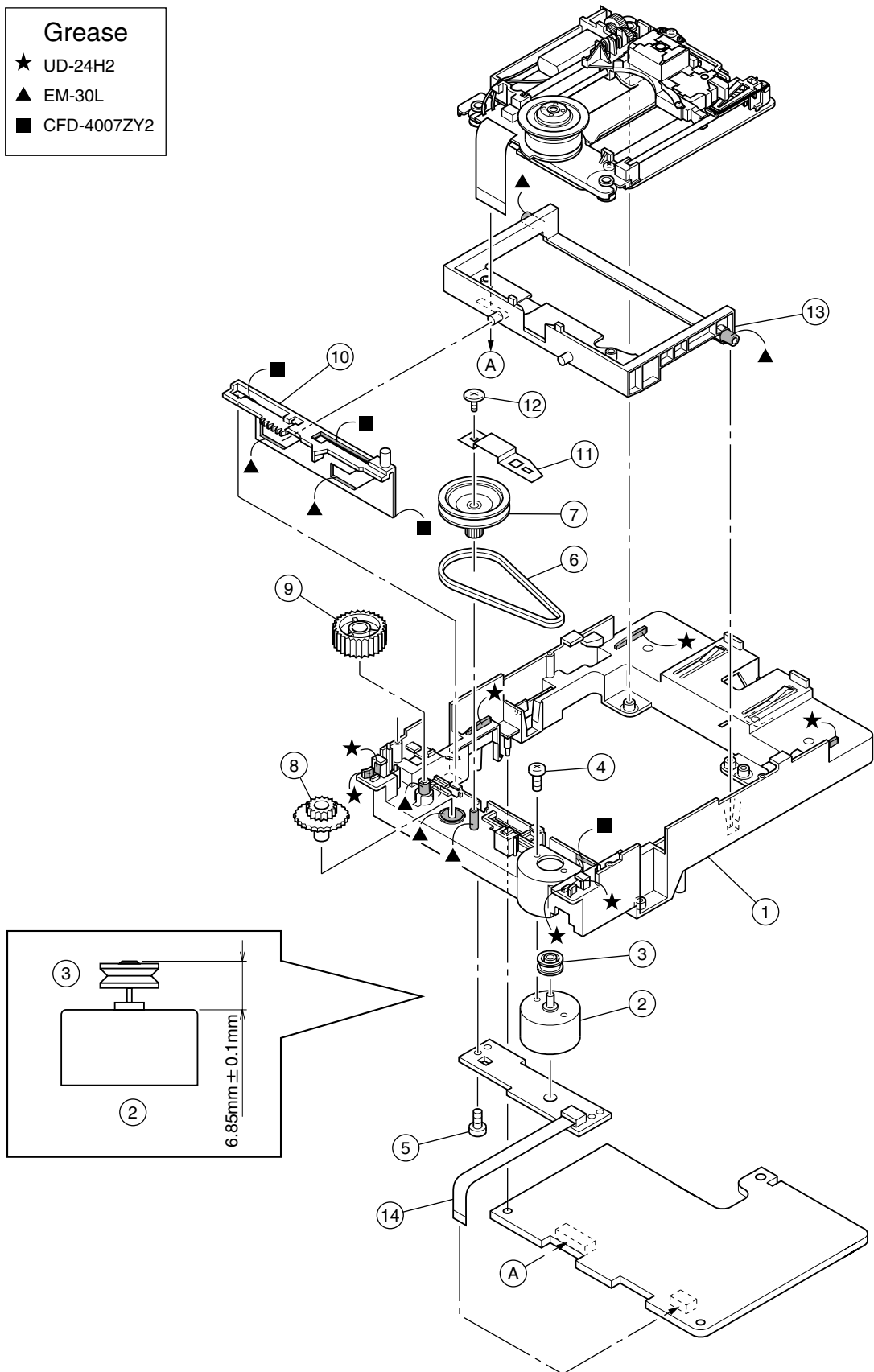
Block No. M2MM

△	Item	Parts number	Parts name	Q'ty	Description	Area
	1	LE20520-002A	MECHA BASE	1		
	2	LE20516-001A	SPINDLE BASE	1		
	3	QYSDST2605M	TAPPING SCREW	3		
	4	LE30909-001A	HOLDER	1		
	5	QAR0165-001	FEED MOTOR	1		
	6	LV41510-001A	FEED GEAR	1		
	7	QYSPSPU2040M	SCREW	2		
	8	LV41512-001A	FEED GEAR	1		
	9	LV41517-003A	LEAD SCREW	1		
	10	LV41511-002A	FEED GEAR	1		
	11	LE40742-001A	TORSION SPRING	1		
	12	QYSDSF2005Z	SCREW	1		
	13	QYSDST2605M	TAPPING SCREW	2		
	14	LE20517-001A	HOLDER	1		
	15	LE40744-001A	SPRING	1		
	16	LV41121-002A	SLIDE SHAFT	2		
	17	QYSDST2605M	TAPPING SCREW	1		
	18	QAL0342-001	OPTICAL PICK-UP	1		
	19	LE20519-001A	ACTUATOR	1		
	20	LE30886-001A	SPRING	1		
	21	QYSPSFU1740Z	SCREW	2		
	22	LE30888-003A	SPRING	1		
	23	QYSPSGU1430Z	SCREW	1		
	24	LE40743-001A	SPRING	1		
	25	LE40774-001A	PLATE	1		
	26	QYSDST2606Z	SCREW	1		
	27	QAL0284-001	F.P.C.WIRE ASSY	1		
	28	QAR0162-001	SPINDLE MOTOR	1		
	29	QYSPSPU1760Z	SCREW	3		
	30	QYYASPF2608N	SCREW	3		

DVD Loading mechanism assembly and parts list

Block No. M3MM

- | Grease | |
|--------|-------------|
| ★ | UD-24H2 |
| ▲ | EM-30L |
| ■ | CFD-4007ZY2 |



■ Parts list (DVD Loading mechanism assembly)

Block No. M3MM

△	Item	Parts number	Parts name	Q'ty	Description	Area
	1	LV10454-007A	LOADING BASE	1		
	2	QAR0164-001	MOTOR	1		
	3	LV42087-001A	MOTOR PULLEY	1		
	4	QYSPSPU1730Z	SCREW	1		
	5	VKZ4777-003	MINI SCREW	1		
	6	LV42209-001A	BELT	1		
	7	LV42084-002A	PULLEYGEAR	1		
	8	LV42085-002A	MIDDLE GEAR	1		
	9	LV42086-001A	IDLE GEAR	1		
	10	LV32514-002A	SLIDE CAM	1		
	11	LV42348-001A	GEAR BRACKET	1		
	12	VKZ4777-003	MINI SCREW	1		
	13	LV20912-002A	ELEVATOR	1		
	14	QUQ110-0610AJ	FFC WIRE	1		

■ Electrical parts list (Loading motor board)

Block No. 03

△	Item	Parts number	Parts name	Remarks	Area
	CN 1	QGF1016F3-06	CONNECTOR		
	S 1	QSW0910-002	SWITCH		
	S 2	QSW0910-002	SWITCH		

■ Electrical parts list (Main board)

Block No. 01

△	Item	Parts number	Parts name	Remarks	Area	△	Item	Parts number	Parts name	Remarks	Area
	BK801	LE20539-001A	FL HOLDER				C 771	QETN1CM-107Z	E CAPACITOR	100MF 20% 16V	
	C 11	QCBB1HK-104Y	C CAPACITOR	.10MF 10% 50V			C 772	QETN1CM-107Z	E CAPACITOR	100MF 20% 16V	
	C 12	QCBB1HK-104Y	C CAPACITOR	.10MF 10% 50V			C 797	NCB31HK-152X	C CAPACITOR		
	C 13	QETN0JM-107Z	E CAPACITOR	100MF 20% 6.3V			C 801	NCB31CK-104X	C CAPACITOR		
	C 14	QETN0JM-107Z	E CAPACITOR	100MF 20% 6.3V			C 802	QEK1AM-476Z	E CAPACITOR	47MF 20% 10V	
	C 15	QETN0JM-107Z	E CAPACITOR	100MF 20% 6.3V			C 821	QEK1HM-475Z	E CAPACITOR	4.7MF 20% 50V	
	C 16	QETN0JM-107Z	E CAPACITOR	100MF 20% 6.3V		△	C 902	QFZ9075-683	M CAPACITOR	.068MF	
	C 17	QETN0JM-107Z	E CAPACITOR	100MF 20% 6.3V			C 906	QCZ9079-102	C CAPACITOR	1000PF	
	C 21	NCS31HJ-101X	C.CAPA. C.M			△	C 907	QEZ0452-826	E CAPACITOR	82MF	
	C 421	QCBB1HK-104Y	C CAPACITOR	.10MF 10% 50V			C 908	NZZ000000000500	C CAPACITOR		
	C 422	QCBB1HK-104Y	C CAPACITOR	.10MF 10% 50V			C 909	NZZ000000000499	C CAPACITOR		
	C 601	NCS31HJ-471X	C CAPACITOR				C 910	NCS31HJ-221X	C.CAPA. C.M		
	C 603	NCS31HJ-221X	C.CAPA. C.M				C 913	NZZ000000000499	C CAPACITOR		
	C 604	NCS31HJ-470X	C.CAPA. C.M				C 914	QEZ0532-396Z	E CAPACITOR	39MF	
	C 611	NCS31HJ-471X	C CAPACITOR				C 915	NCB31HK-471X	C CAPACITOR		
	C 613	NCS31HJ-221X	C.CAPA. C.M				C 916	QCZ9079-332	C CAPACITOR	3300PF	
	C 614	NCS31HJ-470X	C.CAPA. C.M				C 917	NCB31CK-104X	C CAPACITOR		
	C 621	NCS31HJ-471X	C CAPACITOR				C 918	QCFB1HZ-104Y	C CAPACITOR	.10MF +80-20%	
	C 623	NCS31HJ-221X	C.CAPA. C.M				C 951	NCS31HJ-101X	C.CAPA. C.M		
	C 624	NCS31HJ-470X	C.CAPA. C.M				C 952	NCS31HJ-101X	C.CAPA. C.M		
	C 629	QETN0JM-477Z	E CAPACITOR	470MF 20% 6.3V			C 953	NCS31HJ-101X	C.CAPA. C.M		
	C 631	NCS31HJ-471X	C CAPACITOR				C 954	NCS31HJ-101X	C.CAPA. C.M		
	C 633	NCS31HJ-221X	C.CAPA. C.M				C 956	NCS31HJ-101X	C.CAPA. C.M		
	C 634	NCS31HJ-470X	C.CAPA. C.M				C 957	NCS31HJ-101X	C.CAPA. C.M		
	C 639	NCB31CK-104X	C CAPACITOR				C 960	QEZ0529-826Z	E CAPACITOR	82MF	
	C 649	QETN0JM-477Z	E CAPACITOR	470MF 20% 6.3V			C 961	NCB31CK-104X	C CAPACITOR		
	C 685	NCS31HJ-471X	C CAPACITOR				C 962	QETN1HM-226Z	E CAPACITOR	22MF 20% 50V	
	C 686	NCS31HJ-471X	C CAPACITOR				C 963	QEZ0533-396Z	E CAPACITOR	39MF	
	C 694	QETN0JM-477Z	E CAPACITOR	470MF 20% 6.3V			C 964	QETN1HM-226Z	E CAPACITOR	22MF 20% 50V	
	C 695	QETN0JM-477Z	E CAPACITOR	470MF 20% 6.3V			C 965	QEZ0528-108	E CAPACITOR	1000MF	
	C 696	QETN0JM-477Z	E CAPACITOR	470MF 20% 6.3V			C 966	QETN1AM-477Z	E CAPACITOR	470MF 20% 10V	
	C 697	QETN0JM-477Z	E CAPACITOR	470MF 20% 6.3V			C 967	NCB31CK-104X	C CAPACITOR		
	C 701	QETN1HM-105Z	E CAPACITOR	1.0MF 20% 50V			C 968	NCB31CK-104X	C CAPACITOR		
	C 702	NCB31CK-104X	C CAPACITOR				C 969	QETN1AM-227Z	E CAPACITOR	220MF 20% 10V	
	C 704	NCS31HJ-101X	C.CAPA. C.M				C 970	NCB31CK-104X	C CAPACITOR		
	C 705	NCB31CK-104X	C CAPACITOR				C 973	QETN1AM-107Z	E CAPACITOR	100MF 20% 10V	
	C 706	NCB31CK-104X	C CAPACITOR				C 976	NCB31CK-104X	C CAPACITOR		
	C 707	QETN0JM-107Z	E CAPACITOR	100MF 20% 6.3V			C 977	NCB31CK-104X	C CAPACITOR		
	C 709	NCS31HJ-331X	C.CAPA. C.M				C 978	QETN1AM-107Z	E CAPACITOR	100MF 20% 10V	
	C 711	QCZ0202-155Z	ML C CAPA I/M	1.5MF			C 979	QEZ0530-827	E CAPACITOR	820MF	
	C 714	QETN0JM-108Z	E CAPACITOR	1000MF 20% 6.3V			C 981	NCB31CK-104X	C CAPACITOR		
	C 716	QETN0JM-108Z	E CAPACITOR	1000MF 20% 6.3V			C 982	QEZ0531-567	E CAPACITOR	560MF	
	C 717	QCZ0202-155Z	ML C CAPA I/M	1.5MF			C 984	QETN1EM-227Z	E CAPACITOR	220MF 20% 25V	
	C 718	QETN0JM-227Z	E CAPACITOR	220MF 20% 6.3V			C 985	QETN1CM-227Z	E CAPACITOR	220MF 20% 16V	
	C 728	QETN1AM-107Z	E CAPACITOR	100MF 20% 10V			C 987	QEZ0532-187Z	E CAPACITOR	180MF	
	C 730	QFV21HJ-224Z	MF CAPACITOR	.22MF 5% 50V			C 989	QETN1EM-107Z	E CAPACITOR	100MF 20% 25V	
	C 731	QFN31HJ-103Z	M CAPACITOR	.010MF 5% 50V			C 992	QETN1HM-474Z	E CAPACITOR	.47MF 20% 50V	
	C 736	NCB31CK-104X	C CAPACITOR				C 993	NCS31HJ-101X	C.CAPA. C.M		
	C 737	QETN1EM-226Z	E CAPACITOR	22MF 20% 25V			C 994	NCB31EK-223X	C CAPACITOR		
	C 738	QETN1EM-226Z	E CAPACITOR	22MF 20% 25V			C 995	QETN1CM-227Z	E CAPACITOR	220MF 20% 16V	
	C 740	QFN31HJ-102Z	M CAPACITOR	1000PF 5% 50V			C 996	QETN1CM-226Z	E CAPACITOR	22MF 20% 16V	
	C 741	QFN31HJ-221Z	M CAPACITOR	220PF 5% 50V			C 997	QETN1CM-227Z	E CAPACITOR	220MF 20% 16V	
	C 742	QFN31HJ-332Z	M CAPACITOR	3300PF 5% 50V			C1701	QETN1EM-476Z	E CAPACITOR	47MF 20% 25V	
	C 744	QFN31HJ-681Z	M CAPACITOR	680PF 5% 50V			C1702	QETN1EM-476Z	E CAPACITOR	47MF 20% 25V	
	C 745	QFN31HJ-103Z	M CAPACITOR	.010MF 5% 50V			C1703	NCS31HJ-151X	C CAPACITOR		
	C 746	QETN1EM-226Z	E CAPACITOR	22MF 20% 25V			C1704	NCS31HJ-221X	C.CAPA. C.M		
	C 747	QFN31HJ-222Z	M CAPACITOR	2200PF 5% 50V			CN701	QGB2027M8-26	CONNECTOR		
	C 750	QFN31HJ-102Z	M CAPACITOR	1000PF 5% 50V			CN702	QGD2501C1-05Z	SOCKET I.M		
	C 751	QFN31HJ-221Z	M CAPACITOR	220PF 5% 50V			CN703	QGD2501C1-03Z	SOCKET		
	C 752	QFN31HJ-332Z	M CAPACITOR	3300PF 5% 50V			CN961	QGB2027M8-10	CONNECTOR		
	C 754	QFN31HJ-681Z	M CAPACITOR	680PF 5% 50V			△	CP951	ICP-N10-T	ICP	
	C 755	QFN31HJ-103Z	M CAPACITOR	.010MF 5% 50V			△	CP952	ICP-N5-T	ICP	
	C 756	QETN1EM-226Z	E CAPACITOR	22MF 20% 25V			D 1	HZU2.4B-X	MG.RES C.M		
	C 757	QFN31HJ-222Z	M CAPACITOR	2200PF 5% 50V			D 609	1SS133-T2	SI DIODE IM		
	C 761	QETN1CM-107Z	E CAPACITOR	100MF 20% 16V			D 619	1SS133-T2	SI DIODE IM		
	C 762	QETN1CM-107Z	E CAPACITOR	100MF 20% 16V			D 629	1SS133-T2	SI DIODE IM		

■ Electrical parts list (Main board)

Block No. 01

△	Item	Parts number	Parts name	Remarks	Area
	D 639	1SS133-T2	SI DIODE IM		
	D 701	1SS133-T2	SI DIODE IM		
	D 702	MTZJ3.3B-T2	ZENER DIODE IM		
	D 709	1SS133-T2	SI DIODE IM		
	D 791	1SS133-T2	SI DIODE IM		
	D 792	1SS133-T2	SI DIODE IM		
	D 801	SLR-342VC-T	LED	STANDBY	
△	D 901	S1WB/A/60-4101	BRIDGE DIODE		
△	D 902	F1T4-T2	FR DIODE		
△	D 903	F1T4-T2	FR DIODE		
△	D 904	F1T4-T2	FR DIODE		
△	D 908	F1T4-T2	FR DIODE		
△	D 910	F1T4-T2	FR DIODE		
	D 911	1SS133-T2	SI DIODE IM		
	D 950	MTZJ36C-T2	Z.DIODE I.M		
△	D 951	F1T4-T2	FR DIODE		
△	D 952	F1T4-T2	FR DIODE		
△	D 953	FMB-24	FUSEIODE		
△	D 954	F1T4-T2	FR DIODE		
△	D 956	F1T4-T2	FR DIODE		
△	D 957	F1T4-T2	FR DIODE		
	D 960	MTZJ4.7B-T2	Z DIODE I M		
	D 970	1SS133-T2	SI DIODE IM		
	D 972	1SS133-T2	SI DIODE IM		
	D 973	1SS133-T2	SI DIODE IM		
	D 974	1SS133-T2	SI DIODE IM		
	D 991	MTZJ5.1C-T2	ZENER DIODE		
	DI801	QLF0085-001	FL TUBE		
	EP711	QNZ0136-001Z	EARTH PLATE		
	EP951	QNZ0136-001Z	EARTH PLATE		
	FC901	QNG0003-001Z	FUSE CLIP		
	FC902	QNG0003-001Z	FUSE CLIP		
	FL901	LV41385-010A	FUSE LABEL		
	HS901	E70306-002	HEAT SINK		
	IC411	74VHC08SJ-X	IC		
	IC412	74VHC08ASJ-X	IC		
	IC701	MN101C35DGN	IC	SYSTEM MICOM	
	IC702	IC-PST9140-T	IC		
	IC703	MN35505-X	IC C M		
	IC704	TC7SH08F-X	IC C.M		
	IC741	NJM4580M-X	IC		
	IC751	NJM4580M-X	IC		
	IC801	GP1U271X	IC		
△	IC901	STR-G6651	IC		
	IC951	PQ05RD21	IC		
△	IC953	NJM78M05FA	IC		
	J 602	QNN0361-001	PIN JACK		
	J 603	QND0086-001	S JACK		
	J 691	QNZ0516-001	RGB CONNECTOR		
	J 702	QNS0089-001	3.5 JACK	AV COMPULINK	
	J 703	QNZ0487-001	OPT TRANSMITTER	OPT DIGITAL OUT	
	K 605	NQR0227-004X	FERRITE BEADS		
	K 701	NQR0227-004X	FERRITE BEADS		
	K 703	NQR0201-018X	INDUCTOR		
	K 704	NQR0201-018X	INDUCTOR		
	K 705	NQR0201-018X	INDUCTOR		
	K 706	NQR0201-018X	INDUCTOR		
	K 708	NQR0201-018X	INDUCTOR		
	L 1	QQL231K-100Y	INDUCTOR		
	L 2	QQL231K-100Y	INDUCTOR		
	L 601	QQL231K-5R6Y	INDUCTOR		
	L 602	QQL231K-2R2Y	INDUCTOR		
	L 611	QQL231K-5R6Y	INDUCTOR		
	L 612	QQL231K-2R2Y	INDUCTOR		
	L 621	QQL231K-5R6Y	INDUCTOR		
	L 622	QQL231K-2R2Y	INDUCTOR		

△	Item	Parts number	Parts name	Remarks	Area
	L 631	QQL231K-5R6Y	INDUCTOR		
	L 632	QQL231K-2R2Y	INDUCTOR		
	L 709	QQL231K-2R2Y	INDUCTOR		
△	L 901	QQR1105-001	LINE FILTER		
	L 951	QQL244K-R22Z	INDUCTOR		
	L 952	QQL26AK-220Z	INDUCTOR		
	L 955	QQL26AK-220Z	INDUCTOR		
	L 957	QQL244K-100Z	INDUCTOR		
	L 959	QQL244K-100Z	INDUCTOR		
	P 901	QNC0081-001	AC INLET		
△	PC901	PC123Y02	IC(PHOTO COUPLE		
△	PC902	PC123Y02	IC(PHOTO COUPLE		
	Q 1	2SC2060/QR/-T	TRANSISTOR		
	Q 601	KTA1267/G/-T	TR I/M		
	Q 611	KTA1267/G/-T	TR I/M		
	Q 621	KTA1267/G/-T	TR I/M		
	Q 631	KTA1267/G/-T	TR I/M		
	Q 691	KRC102S-X	DIGITAL.TR		
	Q 692	KRC102S-X	DIGITAL.TR		
	Q 696	KRA102S-X	DIGITAL.TR		
	Q 697	KRC102S-X	DIGITAL.TR		
	Q 709	KRC107S-X	DIGITAL.TR		
	Q 743	2SD2144S/VW/-T	TRANSISTOR	AMUTE1	
	Q 744	2SD2144S/VW/-T	TRANSISTOR		
	Q 753	2SD2144S/VW/-T	TRANSISTOR	AMUTE1	
	Q 754	2SD2144S/VW/-T	TRANSISTOR		
	Q 791	KRA102S-X	DIGITAL.TR		
	Q 951	KTD863/Y/-T	TRANSISTOR		
	Q 952	KRA104S-X	DIGITAL.TR		
	Q 953	KTA1267/G/-T	TR I/M		
△	Q 964	2SB1184/QR/-X	TRANSISTOR		
	Q 965	KTC3199/Y/-T	TR I/M		
	Q 966	KTA1267/G/-T	TR I/M		
	Q 991	KTC3199/Y/-T	TR I/M		
	R 1	NRSA63J-910X	MG RESISTOR		
	R 20	NRSA63J-271X	MG RESISTOR		
	R 25	NRSA63J-100X	MG RESISTOR		
	R 601	NRSA63J-151X	MG RESISTOR		
	R 602	NRSA63J-0R0X	MG RESISTOR		
	R 603	NRSA63J-151X	MG RESISTOR		
	R 604	NRSA63J-0R0X	MG RESISTOR		
	R 605	NRSA63J-221X	MG RESISTOR		
	R 606	QRE141J-561Y	C RESISTOR	560 5% 1/4W	
	R 611	NRSA63J-151X	MG RESISTOR		
	R 612	NRSA63J-0R0X	MG RESISTOR		
	R 613	NRSA63J-151X	MG RESISTOR		
	R 614	NRSA63J-0R0X	MG RESISTOR		
	R 615	NRSA63J-221X	MG RESISTOR		
	R 616	QRE141J-561Y	C RESISTOR	560 5% 1/4W	
	R 621	NRSA63J-151X	MG RESISTOR		
	R 622	NRSA63J-0R0X	MG RESISTOR		
	R 623	NRSA63J-151X	MG RESISTOR		
	R 624	NRSA63J-0R0X	MG RESISTOR		
	R 625	NRSA63J-221X	MG RESISTOR		
	R 629	NRSA63J-680X	MG RESISTOR		
	R 631	NRSA63J-151X	MG RESISTOR		
	R 632	NRSA63J-0R0X	MG RESISTOR		
	R 633	NRSA63J-151X	MG RESISTOR		
	R 634	NRSA63J-0R0X	MG RESISTOR		
	R 635	NRSA63J-221X	MG RESISTOR		
	R 636	QRE141J-561Y	C RESISTOR	560 5% 1/4W	
	R 639	NRSA63J-680X	MG RESISTOR		
	R 649	NRSA63J-680X	MG RESISTOR		
	R 650	QRE141J-561Y	C RESISTOR	560 5% 1/4W	
	R 681	NRSA63J-301X	MG RESISTOR		
	R 685	NRSA63J-151X	MG RESISTOR		

■ Electrical parts list (Main board)

Block No. 01

▲	Item	Parts number	Parts name	Remarks	Area	▲	Item	Parts number	Parts name	Remarks	Area
	R 686	NRSA63J-151X	MG RESISTOR				R 782	NRSA63J-221X	MG RESISTOR		
	R 687	NRSA63J-680X	MG RESISTOR				R 783	NRSA63J-221X	MG RESISTOR		
	R 688	NRSA63J-680X	MG RESISTOR				R 786	NRSA63J-333X	MG RESISTOR		
	R 694	NRSA63J-680X	MG RESISTOR				R 789	NRSA63J-0R0X	MG RESISTOR		
	R 695	NRSA63J-680X	MG RESISTOR				R 790	NRSA63J-102X	MG RESISTOR		
	R 696	NRSA63J-0R0X	MG RESISTOR				R 791	NRSA63J-102X	MG RESISTOR		
	R 697	NRSA63J-102X	MG RESISTOR				R 792	NRSA63J-221X	MG RESISTOR		
	R 698	NRSA63J-104X	MG RESISTOR				R 793	NRSA63J-221X	MG RESISTOR		
	R 699	NRSA63J-301X	MG RESISTOR				R 795	NRSA63J-472X	MG RESISTOR		
	R 701	NRSA63J-102X	MG RESISTOR				R 797	NRSA63J-473X	MG RESISTOR		
	R 702	NRSA63J-472X	MG RESISTOR				R 801	NRSA63J-331X	MG RESISTOR		
	R 703	NRSA63J-105X	MG RESISTOR				R 845	NRSA63J-431X	MG RESISTOR		
	R 704	NRSA63J-102X	MG RESISTOR				R 846	NRSA63J-681X	MG RESISTOR		
	R 705	NRSA63J-2R2X	MG RESISTOR				R 847	NRSA63J-112X	MG RESISTOR		
	R 706	NRSA63J-104X	MG RESISTOR				R 848	NRSA63J-222X	MG RESISTOR		
	R 708	NRSA63J-101X	MG RESISTOR				R 900	NRSA63J-221X	MG RESISTOR		
	R 709	NRSA63J-103X	MG RESISTOR				R 901	QRL01DJ-683X	OMF RESISTOR	68K 5% 1/1W	
	R 711	NRSA63J-100X	MG RESISTOR				R 903	QRE141J-330Y	C RESISTOR	33 5% 1/4W	
	R 713	NRSA63J-470X	MG RESISTOR				R 904	QRE141J-222Y	C RESISTOR	2.2K 5% 1/4W	
	R 715	NRSA63J-470X	MG RESISTOR				R 905	QRL027J-683	UNF OMF RESISTO	68K 5% 1/2W	
	R 717	NRSA63J-220X	MG RESISTOR				R 906	QRE141J-681Y	C RESISTOR	680 5% 1/4W	
	R 721	NRSA63J-471X	MG RESISTOR				R 907	QRT022J-R47	MF RESISTOR	5% 1/2W	
	R 723	NRSA63J-471X	MG RESISTOR				R 908	QRE141J-332Y	C RESISTOR	3.3K 5% 1/4W	
	R 724	NRSA63J-471X	MG RESISTOR				R 910	QRE141J-754Y	C RESISTOR	750K 5% 1/4W	
	R 725	NRSA63J-471X	MG RESISTOR				R 911	QRE141J-754Y	C RESISTOR	750K 5% 1/4W	
	R 728	NRSA63J-471X	MG RESISTOR				R 952	NRSA63J-103X	MG RESISTOR		
	R 729	NRSA63J-471X	MG RESISTOR				R 953	QRE141J-103Y	C RESISTOR	10K 5% 1/4W	
	R 731	NRSA63J-332X	MG RESISTOR			▲	R 954	QRZ9005-100X	F RESISTOR	10 1/0W	
	R 740	QRE141J-273Y	C RESISTOR	27K 5% 1/4W			R 955	NRSA63J-223X	MG RESISTOR		
	R 741	QRE141J-273Y	C RESISTOR	27K 5% 1/4W			R 956	QRE141J-120Y	C RESISTOR	12 5% 1/4W	
	R 742	QRE141J-183Y	C RESISTOR	18K 5% 1/4W			R 960	QRE141J-101Y	C RESISTOR	100 5% 1/4W	
	R 743	QRE141J-183Y	C RESISTOR	18K 5% 1/4W			R 961	NRSA63J-681X	MG RESISTOR		
	R 744	NRSA63J-362X	MG RESISTOR				R 962	NRSA63J-105X	MG RESISTOR		
	R 745	QRE141J-183Y	C RESISTOR	18K 5% 1/4W			R 963	NRSA63J-101X	MG RESISTOR		
	R 746	NRSA63J-332X	MG RESISTOR				R 964	NRSA63J-105X	MG RESISTOR		
	R 747	NRSA63J-362X	MG RESISTOR				R 965	NRSA63J-103X	MG RESISTOR		
	R 748	NRSA63J-112X	MG RESISTOR				R 969	NRSA63J-221X	MG RESISTOR		
	R 750	QRE141J-273Y	C RESISTOR	27K 5% 1/4W			R 971	NRSA63J-392X	MG RESISTOR		
	R 751	QRE141J-273Y	C RESISTOR	27K 5% 1/4W			R 972	NRSA63J-122X	MG RESISTOR		
	R 752	QRE141J-183Y	C RESISTOR	18K 5% 1/4W			R 973	NRSA63J-102X	MG RESISTOR		
	R 753	QRE141J-183Y	C RESISTOR	18K 5% 1/4W			R 974	NRSA63J-562X	MG RESISTOR		
	R 754	NRSA63J-362X	MG RESISTOR				R 975	NRSA63J-562X	MG RESISTOR		
	R 755	QRE141J-183Y	C RESISTOR	18K 5% 1/4W			R 976	QRE141J-221Y	C RESISTOR	220 5% 1/4W	
	R 756	NRSA63J-332X	MG RESISTOR				R 980	QRE141J-152Y	C RESISTOR	1.5K 5% 1/4W	
	R 757	NRSA63J-362X	MG RESISTOR				R1704	NRSA63J-102X	MG RESISTOR		
	R 758	NRSA63J-112X	MG RESISTOR				R1707	NRSA63J-222X	MG RESISTOR		
	R 761	NRSA63J-112X	MG RESISTOR				R1708	NRSA63J-222X	MG RESISTOR		
	R 762	NRSA63J-681X	MG RESISTOR				R1709	NRSA63J-102X	MG RESISTOR		
	R 763	NRSA63J-362X	MG RESISTOR				R1710	NRSA63J-102X	MG RESISTOR		
	R 764	NRSA63J-183X	MG RESISTOR				R1713	NRSA63J-101X	MG RESISTOR		
	R 765	NRSA63J-561X	MG RESISTOR				R1714	NRSA63J-472X	MG RESISTOR		
	R 766	NRSA63J-273X	MG RESISTOR				R1716	NRSA63J-102X	MG RESISTOR		
	R 767	NRSA63J-101X	MG RESISTOR				R1721	NRSA63J-331X	MG RESISTOR		
	R 768	NRSA63J-103X	MG RESISTOR				R1722	NRSA63J-750X	MG RESISTOR		
	R 769	NRSA63J-103X	MG RESISTOR				R1723	NRSA63J-270X	MG RESISTOR		
	R 771	NRSA63J-112X	MG RESISTOR				R1724	NRSA63J-101X	MG RESISTOR	TO C708	
	R 772	NRSA63J-681X	MG RESISTOR				R1725	NRSA63J-102X	MG RESISTOR		
	R 773	NRSA63J-362X	MG RESISTOR				R1727	NRSA63J-0R0X	MG RESISTOR		
	R 774	NRSA63J-183X	MG RESISTOR				R1728	NRSA63J-222X	MG RESISTOR		
	R 775	NRSA63J-561X	MG RESISTOR				R1729	NRSA63J-222X	MG RESISTOR		
	R 776	NRSA63J-273X	MG RESISTOR				R1730	QRE141J-103Y	C RESISTOR	10K 5% 1/4W	
	R 777	NRSA63J-101X	MG RESISTOR				R1731	QRE141J-102Y	C RESISTOR	1.0K 5% 1/4W	
	R 778	NRSA63J-103X	MG RESISTOR				R1732	QRE141J-100Y	C RESISTOR	10 5% 1/4W	
	R 779	NRSA63J-103X	MG RESISTOR				S 691	QSW0454-001	SWITCH		
	R 780	NRSA63J-102X	MG RESISTOR				S 801	QSW0651-001Z	TACT SWITCH		
	R 781	NRSA63J-102X	MG RESISTOR				S 821	QSW0651-001Z	TACT SWITCH		

■ Electrical parts list (Main board)

Block No. 01

△	Item	Parts number	Parts name	Remarks	Area
	S 831	QSW0651-001Z	TACT SWITCH		
	S 832	QSW0651-001Z	TACT SWITCH		
	S 833	QSW0651-001Z	TACT SWITCH		
	S 834	QSW0651-001Z	TACT SWITCH		
	S 835	QSW0651-001Z	TACT SWITCH		
	T 701	QQR1185-001	PULSE TRANS		
△	T 901	QQS0100-001	SW TRANSF		
	X 701	QAX0667-001Z	RESONATOR I.M		

■ Electrical parts list (DVD Srevo control board)

Block No. 02

△	Item	Parts number	Parts name	Remarks	Area	△	Item	Parts number	Parts name	Remarks	Area
	C 1	NCB31CK-104X	C CAPACITOR				C 308	NEA70GM-107X	E CAPACITOR		
	C 2	NCB31CK-104X	C CAPACITOR				C 310	NCB31CK-104X	C CAPACITOR		
	C 3	NCB31CK-104X	C CAPACITOR				C 311	NCB31HK-561X	C CAPACITOR		
	C 4	NCB31CK-104X	C CAPACITOR				C 312	NCB31HK-561X	C CAPACITOR		
	C 5	NCB31CK-104X	C CAPACITOR				C 313	NCB31HK-561X	C CAPACITOR		
	C 6	NCB31CK-104X	C CAPACITOR				C 314	NCB31HK-331X	C CAPACITOR		
	C 105	NEA70JM-476X	E.CAPACITOR				C 315	NCB31HK-471X	C CAPACITOR		
	C 106	NEA70JM-476X	E.CAPACITOR				C 316	NCB31HK-271X	C CAPACITOR		
	C 109	NCB21CK-154X	C.CAPA. C.M				C 317	NCS31HJ-121X	C CAPACITOR		
	C 110	NCS31HJ-221X	C.CAPA. C.M				C 318	NCB31CK-104X	C CAPACITOR		
	C 111	NCB31CK-104X	C CAPACITOR				C 319	NCB31HK-102X	C CAPACITOR		
	C 112	NCB31CK-104X	C CAPACITOR				C 320	NCB31HK-102X	C CAPACITOR		
	C 113	NEA70JM-226X	E CAPACITOR				C 321	NCB31HK-102X	C CAPACITOR		
	C 115	NCB31CK-104X	C CAPACITOR				C 322	NCB31HK-562X	C CAPACITOR		
	C 116	NCB31CK-104X	C CAPACITOR				C 323	NCB31HK-102X	C CAPACITOR		
	C 117	NCB31CK-473X	C CAPACITOR				C 324	NCB31CK-104X	C CAPACITOR		
	C 118	NCB31CK-273X	C CAPACITOR				C 325	NCS31HJ-470X	C.CAPA. C.M		
	C 119	NCB31HK-561X	C CAPACITOR				C 326	NCB31CK-183X	C CAPACITOR		
	C 120	NCB31HK-561X	C CAPACITOR				C 327	NCB31HK-102X	C CAPACITOR		
	C 121	NCB31CK-104X	C CAPACITOR				C 328	NCB31CK-104X	C CAPACITOR		
	C 122	NCS31HJ-120X	C.CAPA. C.M				C 329	NCB31CK-103X	C CAPACITOR		
	C 123	NCB31CK-104X	C CAPACITOR				C 330	NCB31CK-104X	C CAPACITOR		
	C 124	NCS31HJ-470X	C.CAPA. C.M				C 331	NCB31CK-103X	C CAPACITOR		
	C 125	NCB31HK-271X	C CAPACITOR				C 332	NCB21CK-105X	C CAPACITOR		
	C 126	NCB31CK-104X	C CAPACITOR				C 333	NCB31AK-154X	C CAPACITOR		
	C 127	NCB31CK-104X	C CAPACITOR				C 334	NCB31CK-104X	C CAPACITOR		
	C 128	NCB31CK-104X	C CAPACITOR				C 337	NCB31CK-104X	C CAPACITOR		
	C 129	NCB31HK-472X	C CAPACITOR				C 338	NCB31CK-104X	C CAPACITOR		
	C 135	NEA70JM-476X	E.CAPACITOR				C 339	NCB31CK-104X	C CAPACITOR		
	C 137	NEA70GM-476X	E.CAPA. C.M.				C 340	NCB31CK-104X	C CAPACITOR		
	C 138	NCB21CK-105X	C CAPACITOR				C 341	NCB31CK-104X	C CAPACITOR		
	C 139	NCB21CK-105X	C CAPACITOR				C 342	NCB31CK-104X	C CAPACITOR		
	C 141	NCB31CK-104X	C CAPACITOR				C 343	NCB31CK-104X	C CAPACITOR		
	C 142	NCB31CK-104X	C CAPACITOR				C 344	NCB31CK-104X	C CAPACITOR		
	C 143	NCB31CK-104X	C CAPACITOR				C 345	NCB31CK-104X	C CAPACITOR		
	C 144	NCB31CK-103X	C CAPACITOR				C 346	NCB31CK-104X	C CAPACITOR		
	C 146	NCB31CK-104X	C CAPACITOR				C 347	NCB31CK-104X	C CAPACITOR		
	C 201	NEA70JM-226X	E CAPACITOR				C 348	NCB31CK-104X	C CAPACITOR		
	C 203	NCB31CK-104X	C CAPACITOR				C 349	NCB31CK-104X	C CAPACITOR		
	C 204	NCB31CK-104X	C CAPACITOR				C 350	NCB31CK-104X	C CAPACITOR		
	C 205	NCB31HK-121X	C CAPACITOR				C 401	NEA70GM-476X	E.CAPA. C.M.		
	C 207	NCB31HK-391X	C CAPACITOR				C 402	NCB31CK-104X	C CAPACITOR		
	C 208	NCB31HK-391X	C CAPACITOR				C 403	NCB31CK-104X	C CAPACITOR		
	C 211	NCB31HK-223X	C CAPACITOR				C 404	NCB31CK-104X	C CAPACITOR		
	C 212	NCB31CK-103X	C CAPACITOR				C 405	NCB31CK-104X	C CAPACITOR		
	C 216	NCB30JK-105X	C CAPACITOR				C 406	NCB31CK-104X	C CAPACITOR		
	C 217	NCB31CK-104X	C CAPACITOR				C 407	NCB31CK-104X	C CAPACITOR		
	C 218	NCB30JK-105X	C CAPACITOR				C 411	NCB31CK-104X	C CAPACITOR		
	C 251	NCB31CK-104X	C CAPACITOR				C 450	NCB31CK-104X	C CAPACITOR		
	C 252	NEA71AM-336X	E CAPACITOR				C 453	NCB31CK-104X	C CAPACITOR		
	C 253	NCB31CK-104X	C CAPACITOR				C 454	NCB31CK-104X	C CAPACITOR		
	C 255	NCB31CK-223X	C CAPACITOR				C 501	NCB31CK-104X	C CAPACITOR		
	C 256	NCB31CK-104X	C CAPACITOR				C 502	NCB31CK-104X	C CAPACITOR		
	C 257	NCB31CK-104X	C CAPACITOR				C 503	NCB31CK-104X	C CAPACITOR		
	C 258	NCB31CK-104X	C CAPACITOR				C 504	NCB31CK-104X	C CAPACITOR		
	C 259	NCB31CK-104X	C CAPACITOR				C 505	NCB31CK-104X	C CAPACITOR		
	C 260	NCB31CK-104X	C CAPACITOR				C 506	NCB31CK-104X	C CAPACITOR		
	C 261	NCB31CK-104X	C CAPACITOR				C 507	NCB31CK-104X	C CAPACITOR		
	C 262	NCB31CK-104X	C CAPACITOR				C 508	NCB31CK-104X	C CAPACITOR		
	C 263	NCB31CK-104X	C CAPACITOR				C 509	NCB31CK-104X	C CAPACITOR		
	C 264	NCB31CK-103X	C CAPACITOR				C 510	NCB31CK-104X	C CAPACITOR		
	C 301	NCB31CK-104X	C CAPACITOR				C 511	NCB31CK-104X	C CAPACITOR		
	C 302	NCB31CK-104X	C CAPACITOR				C 512	NCB31CK-104X	C CAPACITOR		
	C 303	NCB31CK-104X	C CAPACITOR				C 513	NCB31CK-104X	C CAPACITOR		
	C 304	NEA70GM-107X	E CAPACITOR				C 514	NCB31CK-104X	C CAPACITOR		
	C 306	NEA70GM-107X	E CAPACITOR				C 515	NCB31CK-104X	C CAPACITOR		

■ Electrical parts list (DVD Servo control board)

Block No. 02

△	Item	Parts number	Parts name	Remarks	Area
	C 516	NCB31CK-104X	C CAPACITOR		
	C 517	NCB31CK-104X	C CAPACITOR		
	C 518	NCB31CK-104X	C CAPACITOR		
	C 520	NCB31CK-104X	C CAPACITOR		
	C 522	NCB31CK-104X	C CAPACITOR		
	C 524	NCB31CK-104X	C CAPACITOR		
	C 525	NCB31CK-104X	C CAPACITOR		
	C 526	NCB31CK-104X	C CAPACITOR		
	C 527	NCB31CK-104X	C CAPACITOR		
	C 528	NCB31CK-104X	C CAPACITOR		
	C 529	NCB31CK-104X	C CAPACITOR		
	C 530	NEA70GM-107X	E CAPACITOR		
	C 531	NCB31CK-104X	C CAPACITOR		
	C 533	NCB31CK-104X	C CAPACITOR		
	C 534	NEA70GM-107X	E CAPACITOR		
	C 535	NCB31CK-104X	C CAPACITOR		
	C 536	NCB31CK-103X	C CAPACITOR		
	C 539	NCB31CK-104X	C CAPACITOR		
	C 540	NEA70GM-476X	E.CAPA. C.M.		
	C 541	NCB31CK-104X	C CAPACITOR		
	C 544	NCB31CK-104X	C CAPACITOR		
	C 547	NCB31CK-104X	C CAPACITOR		
	C 556	NEA70GM-107X	E CAPACITOR		
	C 566	NCB31CK-104X	C CAPACITOR		
	C 567	NEA70GM-476X	E.CAPA. C.M.		
	C 571	NEA70JM-226X	E CAPACITOR		
	C 572	NCB31CK-104X	C CAPACITOR		
	C 573	NCB31CK-104X	C CAPACITOR		
	CN101	QGF0501F2-30X	FC/FPC CONNE	PU	
	CN201	QGF1016F2-15W	CONNECTOR	PU	
	CN202	QGF1016F2-06W	CONNECTOR	PU	
	CN502	QGB2027L1-10X	CONNECTOR	SYSTEM	
	CN503	QGB2027L1-26X	CONNECTOR	SYSTEM	
	D 101	RB521S-30	MG RESISTOR		
	D 501	1SR154-400-X	DIODE		
	FW801	QUM123-11DGZ4	PARA RIBON WIRE	TO CN703	
	FW802	QUM125-09DGZ4	PARA RIBON WIRE	TO CN702	
	FW803	QUM123-12Z4Z4	PARA RIBON WIRE	TO FW803	
	IC101	AN8703FH-V	IC		
	IC201	BA5983FM-X	IC		
	IC251	BA6664FM-X	LSI		
	IC301	MN103S28EGA	IC		
	IC401	MN102L62GGY	IC	ATTENTION	
	IC402	MR27V160E2ATPX	IC	ATTENTION	
	IC451	S-93C66AFJ-X	IC		
	IC454	74VHC74MTC-X	IC		
	IC455	74VHC00MTC-X	IC		
	IC501	ZIVA-4.1-PA2	IC		
	IC503	74VHC00MTC-X	IC		
	IC504	K4S641632E-TC75	IC		
	IC571	CY24203SC-X	IC		
	K 101	NQR0007-002X	FERRITE BEADS		
	K 301	NQR0007-002X	FERRITE BEADS		
	K 302	NQR0007-002X	FERRITE BEADS		
	K 303	NQR0007-002X	FERRITE BEADS		
	K 304	NQR0007-002X	FERRITE BEADS		
	K 401	NQR0007-002X	FERRITE BEADS		
	K 402	NQR0007-002X	FERRITE BEADS		
	K 501	NQR0007-002X	FERRITE BEADS		
	K 502	NQR0007-002X	FERRITE BEADS		
	K 504	NQR0201-001X	FERRITE BEADS		
	K 505	NQR0269-001X	FERRITE BEADS		
	K 506	NQR0007-002X	FERRITE BEADS		
	K 561	NQR0007-002X	FERRITE BEADS		
	K 562	NQR0007-002X	FERRITE BEADS		
	K 563	NQR0007-002X	FERRITE BEADS		

△	Item	Parts number	Parts name	Remarks	Area
	K 565	NQR0007-002X	FERRITE BEADS		
	K 571	NQR0007-002X	FERRITE BEADS		
	K 575	NQR0007-002X	FERRITE BEADS		
	K 577	NQR0007-002X	FERRITE BEADS		
	K 578	NQR0007-002X	FERRITE BEADS		
	K 579	NQR0007-002X	FERRITE BEADS		
	Q 101	KTA1001/Y/-X	TRANSISTOR		
	Q 102	KTA1001/Y/-X	TRANSISTOR		
	Q 103	DTA144EE-X	DIGI TRANSISTOR		
	R 101	NRSA63J-333X	MG RESISTOR		
	R 102	NRSA63J-223X	MG RESISTOR		
	R 103	NRSA63J-223X	MG RESISTOR		
	R 104	NRS125J-270X	MG RESISTOR		
	R 105	NRS125J-270X	MG RESISTOR		
	R 106	NRSA63J-273X	MG RESISTOR		
	R 107	NRSA63J-273X	MG RESISTOR		
	R 108	NRSA63J-682X	MG RESISTOR		
	R 109	NRSA63J-102X	MG RESISTOR		
	R 110	NRSA63J-333X	MG RESISTOR		
	R 111	NRVA63D-243X	RES. C.M		
	R 112	NRSA63J-822X	MG RESISTOR		
	R 113	NRSA63J-103X	MG RESISTOR		
	R 114	NRSA63J-0R0X	MG RESISTOR		
	R 115	NRSA63J-0R0X	MG RESISTOR		
	R 116	NRSA63J-0R0X	MG RESISTOR		
	R 117	NRSA63J-0R0X	MG RESISTOR		
	R 119	NRSA63J-2R2X	MG RESISTOR		
	R 120	NRSA63J-2R2X	MG RESISTOR		
	R 125	NRSA63J-105X	MG RESISTOR		
	R 126	NRSA63J-105X	MG RESISTOR		
	R 127	NRSA63J-222X	MG RESISTOR		
	R 128	NRS125J-1R0X	MG RESISTOR		
	R 129	NRS125J-1R0X	MG RESISTOR		
	R 130	NRSA63J-182X	MG RESISTOR		
	R 201	NRSA63J-470X	MG RESISTOR		
	R 202	NRS125J-1R0X	MG RESISTOR		
	R 203	NRSA63J-0R0X	MG RESISTOR		
	R 204	NRSA63J-273X	MG RESISTOR		
	R 205	NRSA63J-273X	MG RESISTOR		
	R 206	NRSA63J-303X	MG RESISTOR		
	R 207	NRSA63J-303X	MG RESISTOR		
	R 208	NRSA63J-223X	MG RESISTOR		
	R 209	NRSA63J-223X	MG RESISTOR		
	R 210	NRSA63J-242X	MG RESISTOR		
	R 211	NRSA63J-242X	MG RESISTOR		
	R 212	NRSA63J-103X	MG RESISTOR		
	R 213	NRSA63J-103X	MG RESISTOR		
	R 214	NRSA63J-103X	MG RESISTOR		
	R 215	NRSA63J-103X	MG RESISTOR		
	R 216	NRSA63J-912X	MG RESISTOR		
	R 219	NRSA63J-183X	MG RESISTOR		
	R 220	NRSA63J-183X	MG RESISTOR		
	R 221	NRSA63J-682X	MG RESISTOR		
	R 222	NRSA63J-103X	MG RESISTOR		
	R 223	NRSA63J-912X	MG RESISTOR		
	R 251	NRS125J-R47X	MG RESISTOR		
	R 252	NRSA63J-2R2X	MG RESISTOR		
	R 253	NRSA63J-0R0X	MG RESISTOR		
	R 254	NRSA63J-203X	MG RESISTOR		
	R 255	NRSA63J-103X	MG RESISTOR		
	R 256	NRSA63J-470X	MG RESISTOR		
	R 258	NRSA63J-0R0X	MG RESISTOR		
	R 259	NRSA63J-103X	MG RESISTOR		
	R 301	NRSA63J-473X	MG RESISTOR		
	R 302	NRSA63J-473X	MG RESISTOR		
	R 303	NRSA63J-473X	MG RESISTOR		

ATTENTION : Please exchange "IC401" and "IC402" absolutely by the pair.

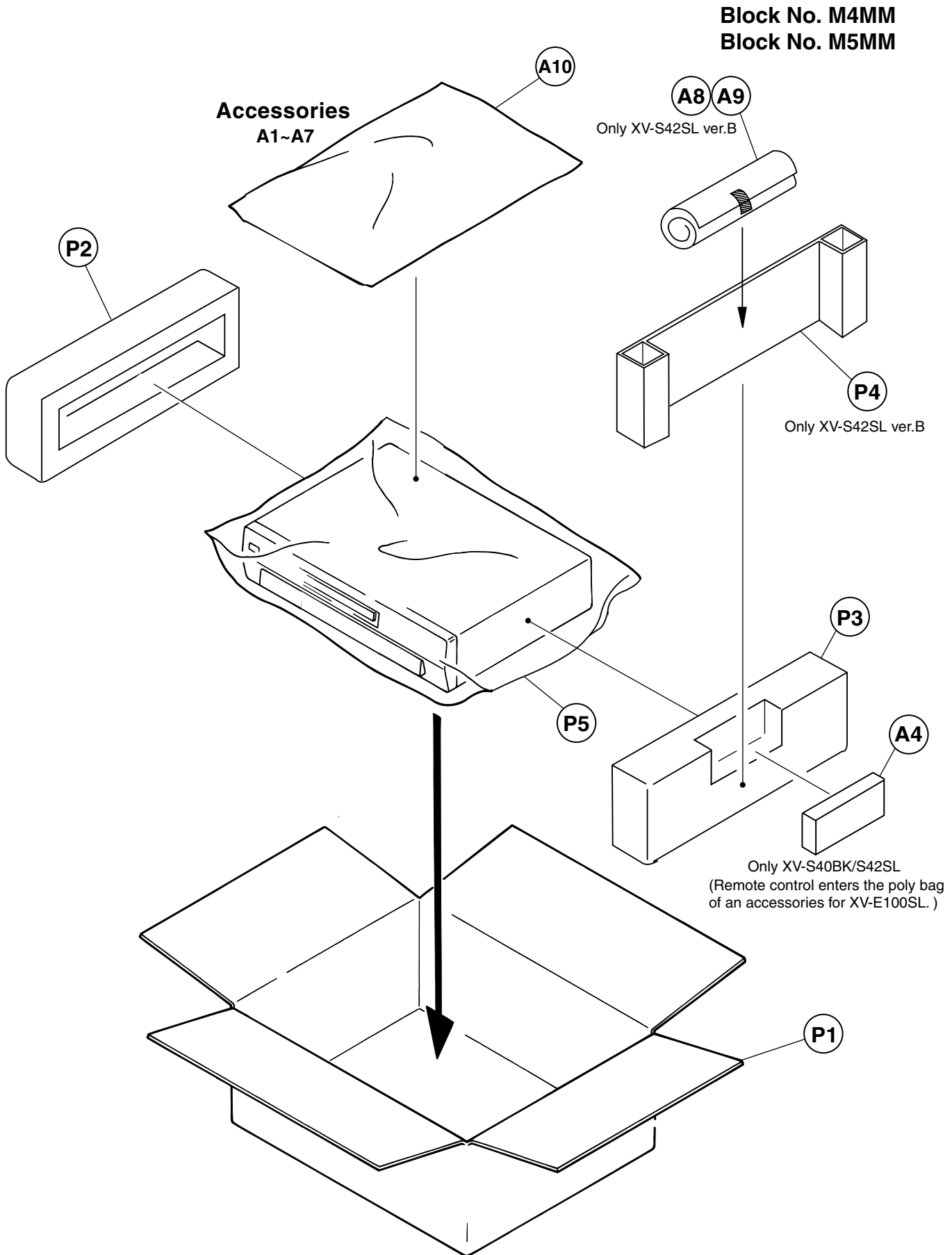
■ Electrical parts list (DVD Servo control board)

Block No. 02

△	Item	Parts number	Parts name	Remarks	Area
	R 304	NRSA63J-473X	MG RESISTOR		
	R 305	NRSA63J-473X	MG RESISTOR		
	R 306	NRSA63J-473X	MG RESISTOR		
	R 307	NRSA63J-473X	MG RESISTOR		
	R 308	NRSA63J-0R0X	MG RESISTOR		
	R 309	NRSA63J-473X	MG RESISTOR		
	R 313	NRSA63J-473X	MG RESISTOR		
	R 317	NRSA63J-473X	MG RESISTOR		
	R 319	NRSA63J-473X	MG RESISTOR		
	R 320	NRSA63J-0R0X	MG RESISTOR		
	R 321	NRSA63J-473X	MG RESISTOR		
	R 322	NRSA63J-0R0X	MG RESISTOR		
	R 323	NRSA63J-473X	MG RESISTOR		
	R 324	NRSA63J-473X	MG RESISTOR		
	R 325	NRSA63J-123X	MG RESISTOR		
	R 326	NRSA63J-473X	MG RESISTOR		
	R 327	NRSA63J-105X	MG RESISTOR		
	R 328	NRSA63J-153X	MG RESISTOR		
	R 329	NRSA63J-473X	MG RESISTOR		
	R 330	NRSA63J-473X	MG RESISTOR		
	R 331	NRSA63J-473X	MG RESISTOR		
	R 332	NRSA63J-102X	MG RESISTOR		
	R 333	NRSA63J-682X	MG RESISTOR		
	R 334	NRSA63J-102X	MG RESISTOR		
	R 336	NRSA63J-273X	MG RESISTOR		
	R 337	NRSA63J-273X	MG RESISTOR		
	R 338	NRSA63J-472X	MG RESISTOR		
	R 339	NRSA63J-472X	MG RESISTOR		
	R 340	NRSA63J-103X	MG RESISTOR		
	R 341	NRSA63J-562X	MG RESISTOR		
	R 402	NRSA63J-472X	MG RESISTOR		
	R 405	NRSA63J-0R0X	MG RESISTOR		
	R 406	NRSA63J-0R0X	MG RESISTOR		
	R 411	NRSA63J-472X	MG RESISTOR		
	R 413	NRSA63J-472X	MG RESISTOR		
	R 414	NRSA63J-472X	MG RESISTOR		
	R 421	NRSA63J-0R0X	MG RESISTOR		
	R 422	NRSA63J-472X	MG RESISTOR		
	R 423	NRSA63J-472X	MG RESISTOR		
	R 424	NRSA63J-472X	MG RESISTOR		
	R 427	NRSA63J-0R0X	MG RESISTOR		
	R 428	NRSA63J-472X	MG RESISTOR		
	R 431	NRSA63J-472X	MG RESISTOR		
	R 432	NRSA63J-472X	MG RESISTOR		
	R 453	NRSA63J-102X	MG RESISTOR		
	R 501	NRSA63J-102X	MG RESISTOR		
	R 502	NRSA63J-472X	MG RESISTOR		
	R 504	NRSA63J-330X	MG RESISTOR		
	R 506	NRSA63J-330X	MG RESISTOR		
	R 507	NRSA63J-330X	MG RESISTOR		
	R 508	NRSA63J-330X	MG RESISTOR		
	R 509	NRSA63J-330X	MG RESISTOR		
	R 510	NRSA63J-330X	MG RESISTOR		
	R 511	NRSA63J-330X	MG RESISTOR		
	R 512	NRSA63J-330X	MG RESISTOR		
	R 513	NRSA63J-330X	MG RESISTOR		
	R 514	NRSA63J-330X	MG RESISTOR		
	R 515	NRSA63J-330X	MG RESISTOR		
	R 516	NRSA63J-330X	MG RESISTOR		
	R 517	NRSA63J-330X	MG RESISTOR		
	R 518	NRSA63J-330X	MG RESISTOR		
	R 519	NRSA63J-330X	MG RESISTOR		
	R 520	NRSA63J-330X	MG RESISTOR		
	R 521	NRSA63J-330X	MG RESISTOR		
	R 522	NRSA63J-330X	MG RESISTOR		
	R 524	NRSA63J-181X	MG RESISTOR		

△	Item	Parts number	Parts name	Remarks	Area
	R 527	NRSA63J-181X	MG RESISTOR		
	R 528	NRSA63J-102X	MG RESISTOR		
	R 529	NRSA63J-181X	MG RESISTOR		
	R 532	NRSA63J-102X	MG RESISTOR		
	R 533	NRSA63J-330X	MG RESISTOR		
	R 534	NRSA63J-330X	MG RESISTOR		
	R 535	NRSA63J-330X	MG RESISTOR		
	R 536	NRSA63J-330X	MG RESISTOR		
	R 537	NRSA63J-330X	MG RESISTOR		
	R 538	NRSA63J-330X	MG RESISTOR		
	R 539	NRSA63J-330X	MG RESISTOR		
	R 540	NRSA63J-330X	MG RESISTOR		
	R 541	NRSA63J-0R0X	MG RESISTOR		
	R 542	NRSA63J-0R0X	MG RESISTOR		
	R 543	NRSA63J-0R0X	MG RESISTOR		
	R 545	NRSA63J-472X	MG RESISTOR		
	R 546	NRSA63J-181X	MG RESISTOR		
	R 547	NRSA63J-222X	MG RESISTOR		
	R 548	NRSA63J-332X	MG RESISTOR		
	R 552	NRSA63J-0R0X	MG RESISTOR		
	R 555	NRSA02J-0R0X	MG RESISTOR		
	R 571	NRSA63J-330X	MG RESISTOR		
	R 572	NRSA63J-0R0X	MG RESISTOR		
	R 573	NRSA63J-0R0X	MG RESISTOR		
	R 575	NRSA63J-103X	MG RESISTOR		
	R 576	NRSA63J-103X	MG RESISTOR		
	R 577	NRSA63J-470X	MG RESISTOR		
	X 571	NAX0513-001X	CRYSTAL		

Packing materials and accessories parts list



■ Packing list

Block No. M4MM

△	Item	Parts number	Parts name	Q'ty	Description	Area
	P 1	LE30945-020A	PACKING CASE	1		1,2
		GN10015-003A	PACKING CASE	1		3,4
		GN10015-008A	PACKING CASE	1		5
		GN10015-009A	PACKING CASE	1		6,7
	P 2	LE20588-001A	PACKING PAD(L)	1		1,2
		LE20609-001A	PACKING PAD(L)	1		3,4,5,6,7
	P 3	LE20589-001A	PACKING PAD(R)	1		1,2
		LE20610-001A	PACKING PAD(R)	1		3,4,5,6,7
	P 4	LE30920-002A	SHEET ASSY	1		5
	P 5	QPC06005515P	POLY BAG	1	For main body	

■ Accessories list

Block No. M5MM

△	Item	Parts number	Parts name	Q'ty	Description	Area
	A 1	LET0178-006B	INST BOOK	1		1,3,6
		LET0178-018A	INST BOOK	1		2,4,7
		LET0178-007A	INST BOOK	1		2,4,7
		LET0178-005A	INST BOOK	1		5
	A 2	BT-54008-2	WARRANTY CARD	1		
	A 3	QAM0328-001	AV CORD 3P	1		
	A 4	RM-SXVS42A	REMOCON UNIT	1		1,2,5,6,7
		RM-SXVS40A	REMOCON UNIT	1		3,4
	A 5	-----	BATTERY	2		
△	A 6	QMPL150-183-JC	POWER CORD	1		1,2,3,4,6,7
	A 7	VNA3000-204	REGIST.CARD	1		5
△	A 8	QMPP060-183-JD	POWER CORD	1		5
	A 9	QPC02503510P	POLY BAG	1	For power cord	5
	A 10	QPC02504015P	POLY BAG	1	For accessories	

Explanation of area column

1:XV-E100SL ver.E 3:XV-S40BK ver.E 5:XV-S42SL ver.B
 2:XV-E100SL ver.EN 4:XV-S40BK ver.EN 6:XV-S42SL ver.E
 7:XV-S42SL ver.EN